

# ROTATING CLEANING NOZZLE RR34

A nozzle with a Ø34 mm rotating head mounted on a set of double row ball bearings. A design optimized for both vertical and horizontal mounting. Installation requires only a minimum of space. This nozzle comes with the RMspray flow restrictor, which can easily be adjusted to conserve water.

## Technical parameters

**Spray patterns** - 360°, 180° up and 180° down

**Wetting radius** - 2 m

**Impact cleaning** - radius 1 m

**Connections** - Ø25 or Ø25,4 smooth with clip, G1/2",  
*reducers are available upon request*

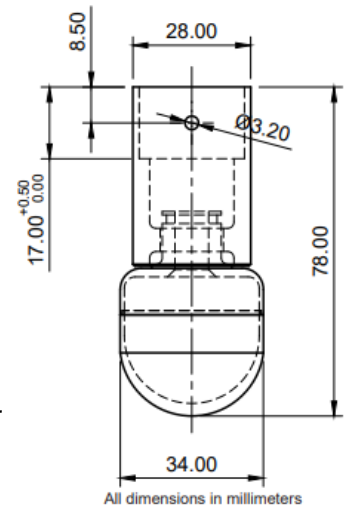
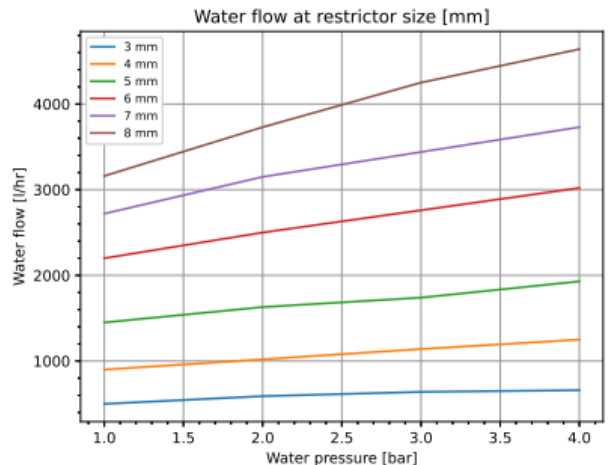
**Materials** - AISI 316L (1.4404), 316L (1.4435)

**Optimal operating pressure** – 1 to 4 bar  
*runs easily on higher pressure*

**Working temperature** - max. 95 C° / 203 F°

**Weight** - 160 g.

**Surface** - Ra1,0 (standard) or Ra0,5 Comes standard with a Ø4 restrictor  
*Do not operate with steam as lubrication of the bearings will fail*



## PART IDENTIFICATION

Type: RR-34-X-XXXX-XXX-XXXX-XXX

Inlet style	Inlet attachment	Spray pattern	Material	Surface
- S: Smooth	- C250: Ø25 mm w/clip	- 180U: 180° up	- 4404: AISI 316L / 4404	- R10: Ra < 1,0
- T: Threaded	- C254 Ø25,4 mm w/clip	- 180D: 180° down	- 4435: AISI 316L / 4435	- R05: Ra < 0,5
	- W250: Ø25 mm for welding	- 360A: 360° all		
	- G050: G 1/2" pipe			



RM SPAANTAGNING

MØLLERSMINDEVEJ 28 - DK-8763 RASK MØLLE - (+45) 75 67 90 69 - SALES@RMSP.DK